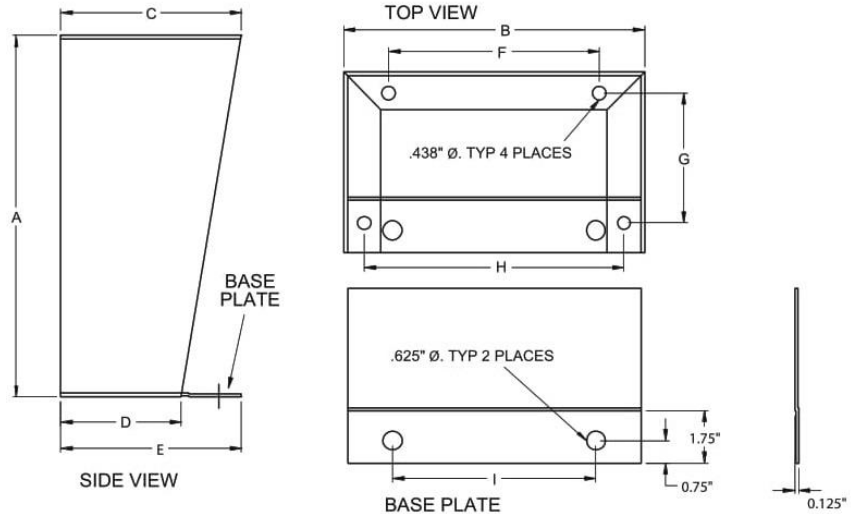




Floor Mounting Kit MF Series



Part No.	Mounting Feet					Hole Centers			
	A	B	C	D	E	F	G	H	I
MF-1208	12	8	5	3	5	5	3.313	6.625	4.688
MF-0610	6	10	6	4	6	7	4.313	8.625	6.688
MF-1210	12	10	6	4	6	7	4.313	8.625	6.688
MF-1810	18	10	6	4	6	7	4.313	8.625	6.688
MF-0612	6	12	8	5	7	8	6.313	10.625	8.688
MF-1212	12	12	8	5	7	8	6.313	10.625	8.688
MF-1512	15	12	8	5	7	8	6.313	10.625	8.688
MF-1812	18	12	8	5	7	8	6.313	10.625	8.688
MF-0616	6	16	8	5	7	12	6.313	14.625	12.688
MF-1216	12	16	8	5	7	12	6.313	14.625	12.688
MF-1816	18	16	8	5	7	12	6.313	14.625	12.688
MF-1518	15	18	8	5	7	14	6.313	16.625	14.688
MF-0620	6	20	8	5	7	16	6.313	18.625	16.688
MF-1220	12	20	8	5	7	16	6.313	18.625	16.688
MF-1224	12	24	8	5	7	20	6.313	22.625	20.688
MF-1524	15	24	8	5	7	20	6.313	22.625	20.688

Part No		Mounting Feet Size					Hole Center			
304 Stainless	316 Stainless	A	B	C	D	E	F	G	H	I
MF-SS-1212	MF-SS-316-1212	12	12	8	5	7	8	6.313	10.63	8.688
MF-SS-0620	MF-SS-316-0620	6	20	8	5	7	16	6.313	18.63	16.69



Hygienic Mounting Kits

HYGIENIC 3-A LEVELING FEET

Part No.	Height Adjustment	Loading Rate
LFHD-04	4" - 5.5"	675 lbs.



HYGIENIC WALL MOUNT BRACKETS

1 Per Pack

Part No.	Description	Depth
AWHD-050	304 Stainless Steel	50mm (2")
AWHD-300	304 Stainless Steel	300mm (12")

Wall Mounting Kits

4 Per Pack

Part No.	Description	For Enclosure
AWS-41	Chrome Plated	VGP, VGW, VSS
EWMB-01	Chrome Plated	EWS, EWD
EWMB-02	304 Stainless Steel	EWSS
EWMB-03	304 Stainless Steel	EST
TBWB-01	316 Stainless Steel	ETB
TWBW-SS	304 Stainless Steel	ETBS
V-SS-WMB	304 Stainless Steel	VGP, VGW, VSS
V-SS-316-WMB	316 Stainless Steel	VGP, VGW, VSS
V-WMB	Zinc Plated	VGP, VGW





Pole Mounting Kits

POLE MOUNTING KIT (IB Series)

Galvanized components with zinc-plated fasteners

For Enclosure	For 2" Pole	For 3" Pole	For 4" Pole	For 12" Pole
6" wide	PMK-26	PMK-36	PMK-46	-
8" wide	PMK-28	PMK-38	PMK-48	PMK-128
10" wide	PMK-210	PMK-310	PMK-410	PMK-1210
12" wide	PMK-212	PMK-312	PMK-412	PMK-1212
14" wide	PMK-214	PMK-314	PMK-414	PMK-1214
16" wide	PMK-216	PMK-316	PMK-416	PMK-1216



POLE MOUNTING KIT

Maximum load 900N (200lbs)

Minimum pole diameter 8mm (3.2")

Maximum pole diameter 250mm (9.8")

Part No	EWSS, EST, ETB ETBS, EWD, MAP	Vision Series	N12, N4 Series	N1 Series
EPF-0500	500mm	20"	20"	20"

